

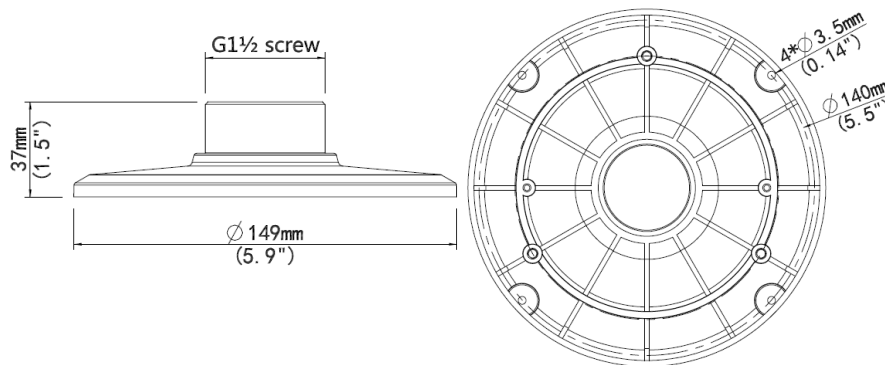
TR-UF45-C-IN Indoor PTZ Dome Plate Mount



Specifications

| | |
|-------------|--|
| Bracket | TR-UF45-C-IN |
| Application | Indoor, wall or pendant installation for indoor PTZ dome |
| Dimensions | Φ149mmx37mm(Φ5.9" x1.5") |
| Weight | 0.6kg(1.3lb) |
| Material | Aluminum alloy |

Dimensions



Zhejiang Uniview Technologies Co.,Ltd.

South Tower, Building 10, Wanlun Science Park, 88 Jiangling Road, Hangzhou, P.R.China 310051

Email: overseasbusiness@uniview.com; globalsupport@uniview.com

<http://www.uniview.com>

©2013 Zhejiang Uniview Technologies Co.,Ltd. All rights reserved.

*Product specifications and availability are subject to change without notice.