

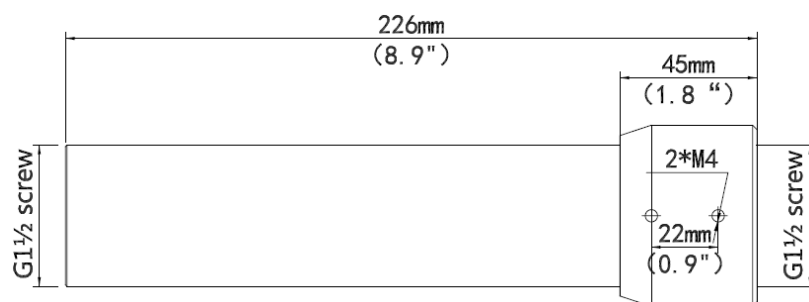
# TR-SE45-IN PTZ Dome Pendant Mount (200mm)



## Specifications

Bracket	TR-SE45-IN
Application	Indoor or outdoor, PTZ dome pendant installation
Dimensions	Φ59mmx226mm(Φ2.3"x8.9")
Weight	0.42kg(0.9lb)
Material	Aluminum alloy

## Dimensions



### Zhejiang Uniview Technologies Co.,Ltd.

South Tower, Building 10, Wanlun Science Park, 88 Jiangling Road, Hangzhou, P.R.China 310051

Email: [overseasbusiness@uniview.com](mailto:overseasbusiness@uniview.com); [globalsupport@uniview.com](mailto:globalsupport@uniview.com)

<http://www.uniview.com>

©2013 Zhejiang Uniview Technologies Co.,Ltd. All rights reserved.

\*Product specifications and availability are subject to change without notice.