

1.3MP Low-light (Motorized)VF Vandal-resistant Network IR Fixed Dome Camera

IPC341E-VIR-Z-IN



Key Features

Optics

- Day/night functionality
- 3D DNR (Digital Noise Reduction)
- SmartIR, up to 30m (98 ft) IR distance
- Built-in motorized lens for remote zoom and autofocus(-Z model support)

Compression

- H.264 High Profile
- Triple streams
- ROI (Region of Interest)
- 9:16 corridor mode
- Customized OSD

Network

- ONVIF Conformance

Structure

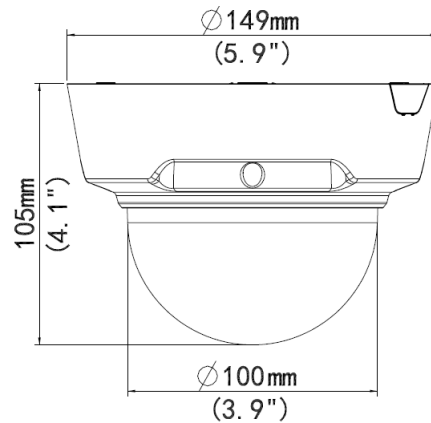
- Built-in PoE splitter that outputs DC 12V
- Wide voltage range of $\pm 25\%$
- IK10 vandal resistant
- IP66

Specifications

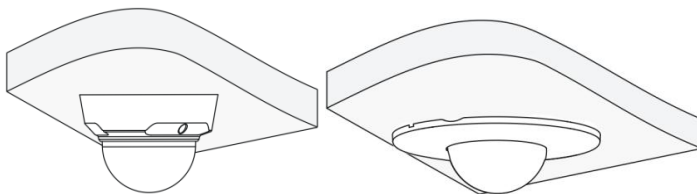
| | |
|-------------------------|---|
| | IPC341E-VIR-Z-IN |
| Camera | |
| Sensor | 1/3", 1.3 megapixel, progressive scanCMOS |
| Shutter | Auto/Manual, 1/6~1/8000 s |
| Lens | 2.8 ~12 mm, F1.4 |
| Zoom/Focus | Motor drive |
| Angle of View (H) | 90° (wide)~28° (tele) |
| Min. Illumination | Colour: 0.03 Lux (F1.4, 50IRE) Black & White: 0.01Lux (F1.4, 50IRE) |
| Day/Night | IR-cut filter with auto switch (ICR) |
| S/N | >50dB |
| IR | Smart-IR ,up to 30m (98 ft) IR range |
| Video | |
| Max. Resolution | 1280 × 960 |
| Video Compression | H.264, MJPEG |
| Frame Rate | 960P (1280*960) 30 fps; 720P (1280*720) 30 fps; D1 (720*576) 25 fps |
| 9:16 Corridor Mode | Supported |
| ROI(Region of Interest) | Supported |
| Video Streaming | Triple |
| OSD | Up to 8 OSDs |
| Privacy Mask | Up to 8 areas |
| Audio | |
| Audio Compression | G.711 |
| Two-way audio | Supported |
| Storage | |
| Edge Storage | Micro SD, up to 64 GB |
| Network | |
| Protocols | L2TP,IPv4,IGMP,ICMP,ARP,TCP,UDP,DHCP,PPPoE,RTP,RTSP,Qos,NTP,FTP,HTTP,SNMP,SIP |
| Compatible Integration | ONVIF, IMOS,API |
| Interface | |
| Audio I/O | 3.5 mm audio interface |
| | Input: impedance 35 kΩ; amplitude 2 V [p-p] |
| | Output: impedance 600 Ω; amplitude 2 V [p-p] |
| Alarm I/O | 2 / 1 |
| Serial Port | 1 RS485 |
| Network | 10M/100M Base-TX Ethernet |
| Video Output | 1 BNC, impedance 75 Ω; amplitude 1 V [p-p] |
| General | |
| Power | 12 V DC, or PoE (IEEE802.3 af) |
| | Power consumption: 4.5W (8.7W with IR on) |

| | |
|---------------------|--|
| Dimensions (Ø x H) | Ø149 x 105 mm (Ø5.9" x 4.1") |
| Weight | 0.75 kg (1.7 lb) |
| Working Environment | -35°C ~ +60°C (-31°F ~ 140°F), Humidity ≤ 90% RH(non-condensing) |
| Vandal Resistant | IK10 |
| Ingress Protection | IP66 |

Dimensions



Installation



Ceiling mount

In-ceiling mount

Accessories

| Installation mode | Accessories | Description |
|-------------------|--|------------------------------------|
| Ceiling mount | Mounting pedestal is included in the product package | For indoor ceiling installation |
| In-ceiling mount | AE-TR-FM152 bracket | For indoor in-ceiling installation |
| Wall mount | AE-TR-UF45+ AE-TR-WE45 | / |
| Pendant mount | AE-TR-UF45+ AE-TR-CE45 | / |

Zhejiang Uniview Technologies Co., Ltd.

South Tower, Building 10, Wanlun Science Park, 88 Jiangling Road, Hangzhou, P.R.China 310051

Email: overseasbusiness@uniview.com; globalsupport@uniview.com

<http://www.uniview.com>

©2015 Zhejiang Uniview Technologies Co., Ltd. All rights reserved.

*Product specifications and availability are subject to change without notice.